

## Economy Vibratory Bowls: 75 Litre - 300 Litre



### Finishes include

- Deburring
- Surface Improve - Ra 0.03
- Radius - Polishing
- Remove scale - Degreasing
- Superfinishing.

### Features

- Cast polyurethane lining
- Heavy duty - Steel fabrication
- Vibratory specification motor
- Adjustable amplitude
- Unload chute.
- 12 month Guarantee

### Benefits

- Standardised Quality
- Reduce Labour Cost
- Nominal Running Cost
- In house control

### Applications include:

Mild Steel - Stainless Steel - Aluminium - Titanium - Brass - Copper - Precious metals – plastic - Tiles.

<https://www.vibratoryfinishing.co.uk/economy-range/economy-vibro-bowls.html>

## Technical data sheet

Model	Chamber Volume Litres	Chamber Width mm	Chamber Height mm	Machine Diameter mm	Voltage/Frequency	Weight Kg
TBT-75	75	225	270	790	400/50	160
TBT-150	150	210	350	1040	400/50	395
TBT-200	200	270	370	1180	400/50	526
TBT-300	300	290	390	1340	400/50	600

PDJ Vibro Ltd. 46 Barton Road, Bletchley, MK2 3BB.

t: 01908 648757 e: [info@vibratoryfinishing.co.uk](mailto:info@vibratoryfinishing.co.uk) w: <https://www.vibratoryfinishing.co.uk>

VAT No: GB 728 234 728. Company Reg: 3747200

## Vibratory Bowl Finishing Machine, Parts Unload, Flat Chamber

---

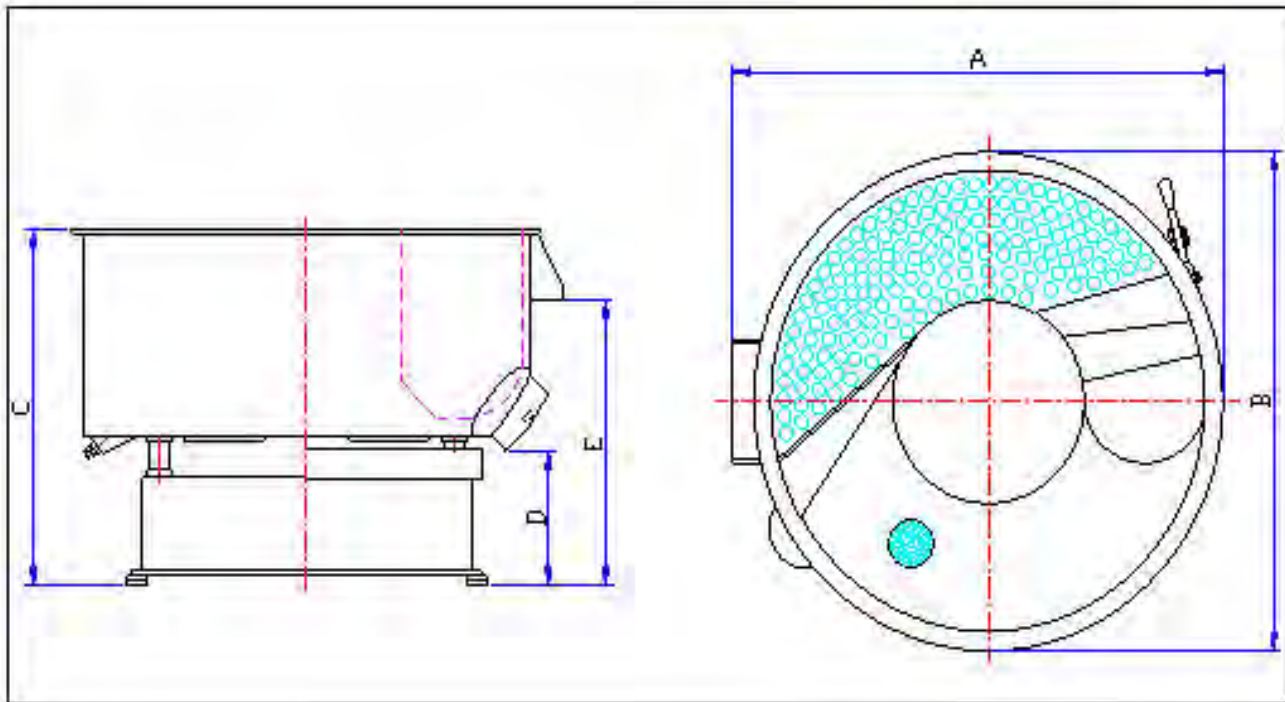


- Very easy changeable separation unit
- Special design heavy-duty electric vibration motor
- Continuously adjustable vibration control
- Conjunction with other machinery
- Optional pneumatic controlled separation flap
- Optional full automatic process control
- High durable hot-poured polyurethane lining

PDJ Vibro Ltd. 46 Barton Road, Bletchley, MK2 3BB.

t: 01908 648757 e: [info@vibratoryfinishing.co.uk](mailto:info@vibratoryfinishing.co.uk) w: <https://www.vibratoryfinishing.co.uk>

VAT No: GB 728 234 728. Company Reg: 3747200



Type	Gross Volume lt.	Power kW	Voltage / Frequency AC-V/Hz 3 phase	Weight kg
EVP-A 220	270	1.5	400 / 50 (*)	460
EVP-A 350	450	2.2	400 / 50 (*)	655
EVP-A 550	735	4	400 / 50 (*)	1350
EVP-A 800	950	5.5	400 / 50 (*)	1430

Type	A mm	B mm	C mm	D mm	E mm
EVP-A 220	1190	1128	995	420	795
EVP-A 350	1420	1330	1115	400	920
EVP-A 550	1620	1550	1225	420	975
EVP-A 800	1830	1740	1225	420	975

## Vibratory Bowl Finishing Machine, without unload

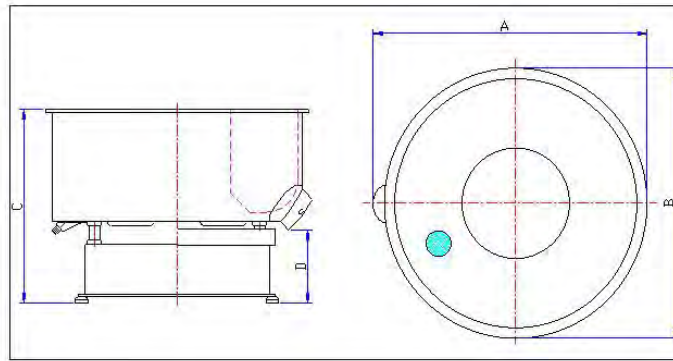


- A special machine without an integrated screening device
- High abrasive efficiency is always combined with a good surface finishing
- Special design heavy-duty electric vibration motor
- Continuously adjustable vibration control
- High durable hot-poured polyurethane lining

PDJ Vibro Ltd. 46 Barton Road, Bletchley, MK2 3BB.

t: 01908 648757 e: [info@vibratoryfinishing.co.uk](mailto:info@vibratoryfinishing.co.uk) w: <https://www.vibratoryfinishing.co.uk>

VAT No: GB 728 234 728. Company Reg: 3747200



Type	Gross Volume lt.	Power kW	Voltage / Frequency AC-V/Hz 3 phaze	Weight kg
EVP 15	15	0.37	400 / 50 (*)	80
EVP 30	30	0.55	400 / 50 (*)	120
EVP 110	120	1.1	400 / 50 (*)	260
EVP 250	250	1.5	400 / 50 (*)	410
EVP 400	400	2.2	400 / 50 (*)	620
EVP 550	585	4	400 / 50 (*)	1040
EVP 800	830	5.5	400 / 50 (*)	1270
EVP 1100	1100	5.5	400 / 50 (*)	1450
EVP 1500	1500	11	400 / 50 (*)	2300
EVP 3000	3000	15	400 / 50 (*)	3350
EVP 3500	3500	15	400 / 50 (*)	3720

Type	A mm	B mm	C mm	D mm
EVP 15	810	460	840	
EVP 30	840	600	870	
EVP 110	890	860	870	450
EVP 250	1160	1128	900	415
EVP 400	1380	1330	1020	400
EVP 550	1605	1550	1095	410
EVP 800	1850	1748	1150	400
EVP 1100	1890	1800	1330	500
EVP 1500	2110	2026	1640	800
EVP 3000	2520	2470	1780	870
EVP 3500	2600	2630	1780	870

## Vibratory Bowl Finishing Machine, With Parts Unload

---

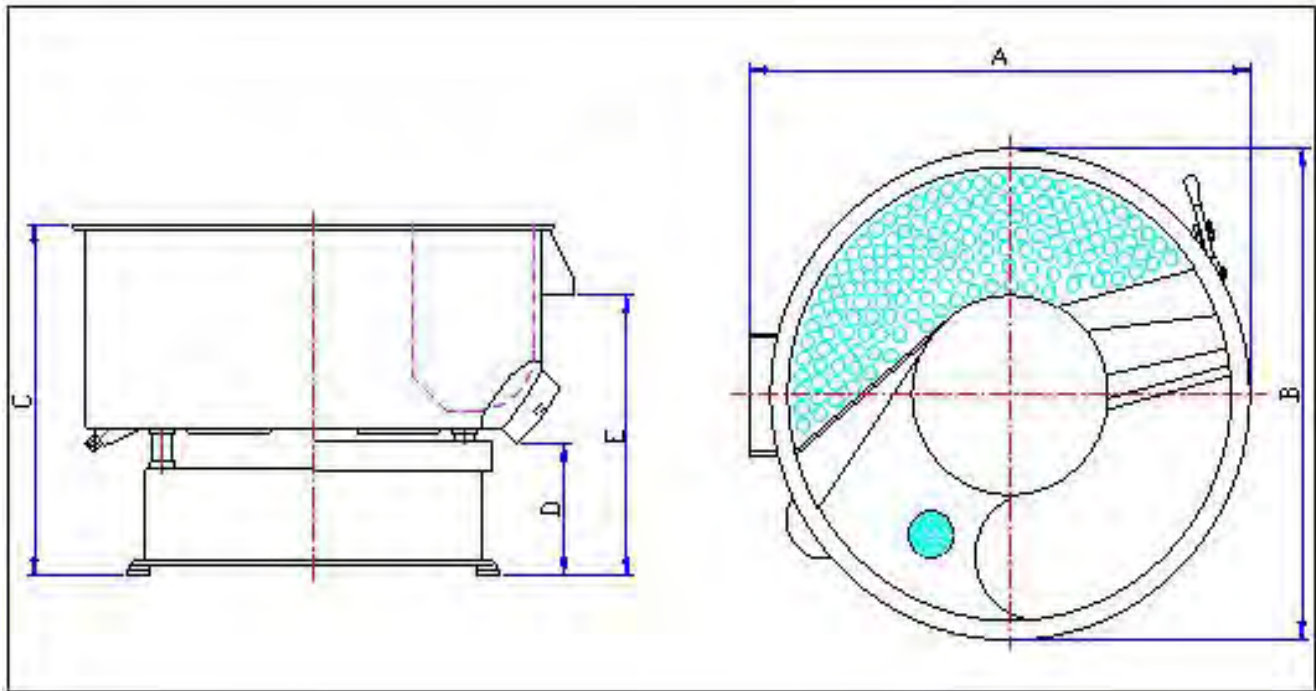


- Very easy changeable separation unit
- EVP-RA models have high abrasive efficiency and the excellent separation due to integrated ramp
- Special design heavy-duty electric vibration motor
- Continuously adjustable vibration control
- Conjunction with other machinery
- Optional pneumatic controlled separation flap
- Optional full automatic process control
- High durable hot-poured polyurethane lining

PDJ Vibro Ltd. 46 Barton Road, Bletchley, MK2 3BB.

t: 01908 648757 e: [info@vibratoryfinishing.co.uk](mailto:info@vibratoryfinishing.co.uk) w: <https://www.vibratoryfinishing.co.uk>

VAT No: GB 728 234 728. Company Reg: 3747200



Type	Gross Volume lt.	Power kW	Voltage / Frequency AC-V/Hz 3 phase	Weight kg
EVP-RA 100	130	1.1	400 / 50 (*)	310
EVP-RA 200	230	1.5	400 / 50 (*)	470
EVP-RA 350	385	2.2	400 / 50 (*)	680
EVP-RA 550	650	4	400 / 50 (*)	1170
EVP-RA 800	835	5.5	400 / 50 (*)	1460
EVP-RA 1700	1650	11	400 / 50 (*)	3200

Type	A mm	B mm	C mm	D mm	E mm
EVP-RA 100	990	944	920	430	760
EVP-RA 200	1190	1128	990	420	795
EVP-RA 350	1420	1330	1115	400	920
EVP-RA 550	1620	1150	1225	420	975
EVP-RA 800	1830	1740	1225	420	975
EVP-RA 1700	2350	2040	1730	780	1415

## Economy Rectangular Vibratory Finishing Machine



- 1270mm round discharge door, with discharge trough
- Heavy gauge steel construction coated with rust-preventative enamel
- Sound reduction cover and anchor bolts
- Polyurethane liner made from the finest quality material available and oven cured
- Optional fluid circulation system including pump, fluid container, all necessary hoses and fittings
- Dividers available for both machines

<https://www.vibratoryfinishing.co.uk/economy-range/rectangular-vibratory-finishing-machine.html>

### Technical data sheet

	Inside Tank Dimensions			Power HP/KW	Voltage/ Frequency AC - V/Hz	Weight KG
	Length mm	Depth mm	Width mm			
<b>T-85</b>	787	330	343	1/0.75	Single Phase 110 / 60 220 / 60	181
<b>T-184</b>	889	476	457	3/2.24	Three Phase 230/50 440/50	318

PDJ Vibro Ltd. 46 Barton Road, Bletchley, MK2 3BB.

t: 01908 648757 e: [info@vibratoryfinishing.co.uk](mailto:info@vibratoryfinishing.co.uk) w: <https://www.vibratoryfinishing.co.uk>

VAT No: GB 728 234 728. Company Reg: 3747200



## Centrifugal Disc Finishers

---

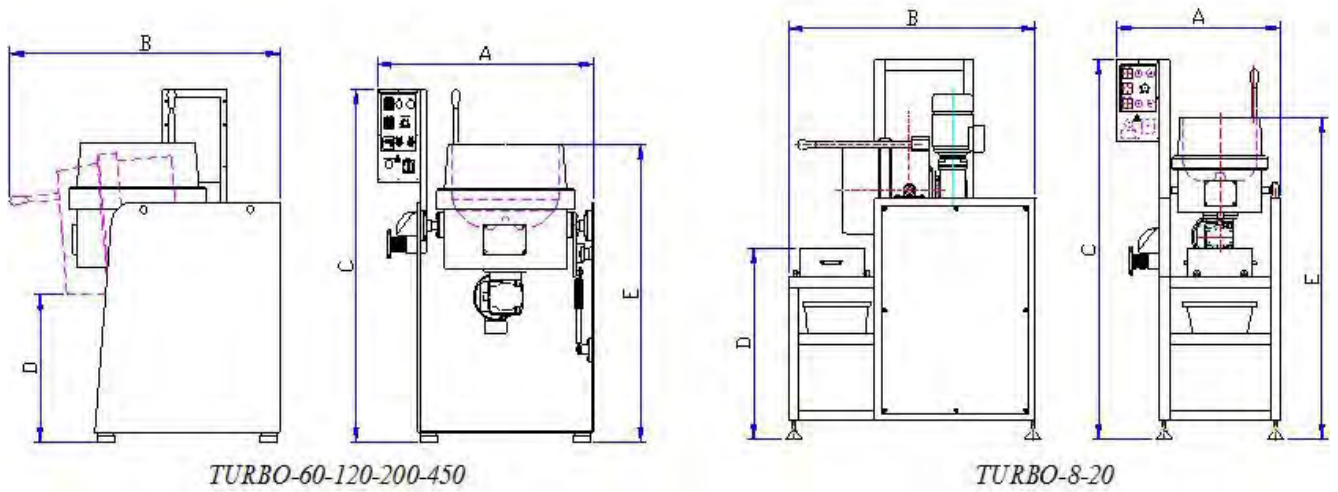


- Short process time of deburring polishing and radiusing of small and medium size work pieces
- Highly durable hot-poured polyurethane coated work container and disc
- Easily changeable gap rings
- Digital process timer
- Digital disc speed indicator
- Turbo-20 and Turbo type machines have dry process models

PDJ Vibro Ltd. 46 Barton Road, Bletchley, MK2 3BB.

t: 01908 648757 e: [info@vibratoryfinishing.co.uk](mailto:info@vibratoryfinishing.co.uk) w: <https://www.vibratoryfinishing.co.uk>

VAT No: GB 728 234 728. Company Reg: 3747200



Type	Gross Volume lt.	Power kW	Weight kg	A mm	B mm	C mm	D mm	E mm
TURBO - 8	8	0.37	50	400	540	1000	260	600
TURBO - 20	20	1.1	170	600	1040	1650	680	1220
TURBO - 60	60	3	680	940	1200	1500	650	1300
TURBO - 120	120	4+0.18	1170	1220	1260	1500	620	1420
TURBO - 200	200	7.5+1.1	1460	1470	1400	1900	700	1660
TURBO - 450	450.	18.5+2.2	3200	2400	3400	4000	1760	2020

## Vibratory Trough Finishing Machines



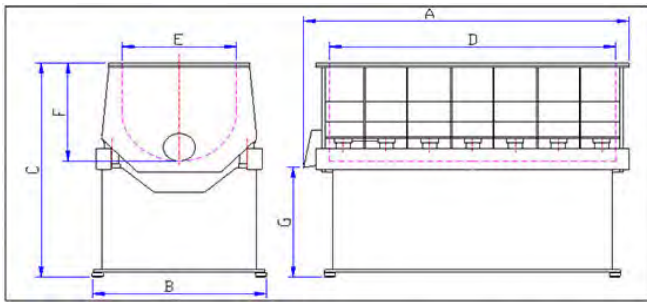
**PDJ Vibro Rectangular Trough Vibrators** are designed to process long components and delicate components where part on part damage is likely (chamber can be sectioned with divider plates).

- High abrasive efficiency is always combined with a good surface finishing.
- Specially designed heavy-duty electric vibration motor.
- Continuously adjustable vibration control.
- High durable hot-poured polyurethane lining.
- EVT-130 model is available with 3000 rpm vibrator motor for ball burnishing.
- Machines are available with optional divider devices.

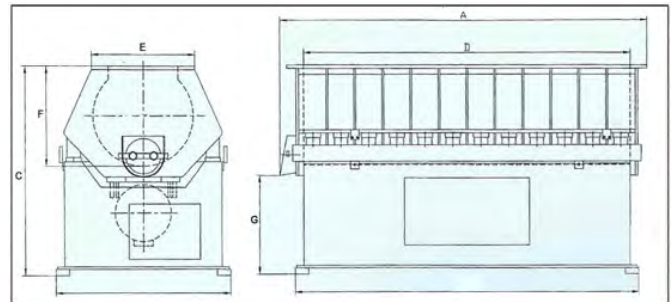
### **Optional features include:**




- PLC Controls.
- Variable speed control.
- Acoustic suppression covers.
- Chemical additive dosing.
- Effluent control.

**EVT**



**EVT-R**



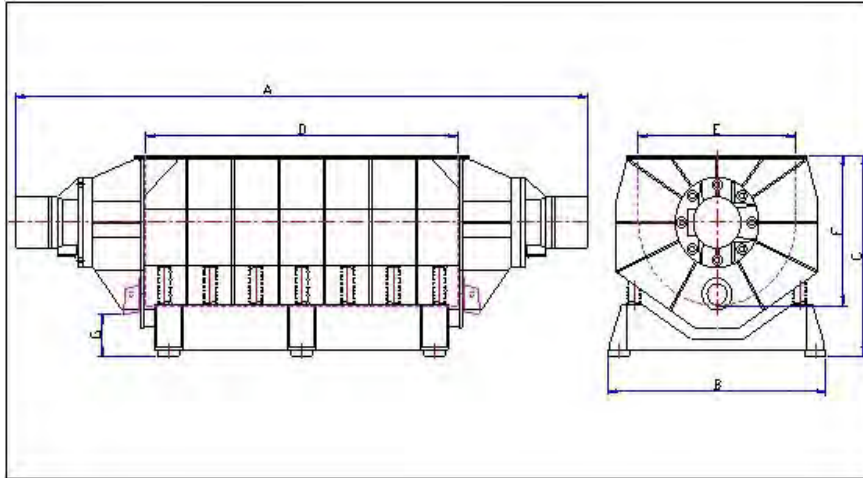
Tip Type	Type A	Type C	Type D	Speed		Gross Volume ltrs	Power kW	Voltage / Frequency AC-V/Hz 3 phase	Weight kg	A mm	B mm	C mm	D mm	E mm	F mm	G mm
				1500 rpm	3000 rpm											
EVT-20		*			*	20	0.55	400 / 50 (*)	90	785	385	600	520	165	210	390
EVT-50		*			*	50	2.2	400 / 50 (*)	300	960	535	1140	750	255	325	760
EVT-80	*			*		80	0.75	400 / 50 (*)	110	1055	646	940	850	275	345	600
EVT-130	*			*		130	1.1	400 / 50 (*)	330	1160	620	930	960	345	410	480
EVT-145	*			*		145	1.1	400 / 50 (*)	440	1300	620	930	1100	345	410	480
EVT-170	*			*		170	1.1	400 / 50 (*)	470	1500	620	930	1300	345	410	480
EVT-250	*			*		250	2.2	400 / 50 (*)	600	1785	775	1190	1500	390	450	665
EVT-R 320	*		*	*		320	2.2	400 / 50 (*)	770	1445	800	1160	1220	510	550	555
EVT-R 370			*	*		370	3	400 / 50 (*)	790	1535	1050	1200	1300	590	590	500
EVT-380	*			*		380	3	400 / 50 (*)	850	1715	800	1160	1520	510	550	555
EVT-400	*			*		400	4	400 / 50 (*)	950	2200	800	1170	2000	400	500	600
EVT-420	*			*		420	3	400 / 50 (*)	990	1925	800	110	1700	510	550	600
EVT-475	*			*		475	4	400 / 50 (*)	950	1445	914	1210	1220	610	610	545
EVT-500	*			*		500	5.5	400 / 50 (*)	1080	1750	914	1210	1525	610	610	545
EVT-R 600	*		*	*		600	5.5	400 / 50 (*)	1270	2165	906	1210	1925	600	585	575
EVT-800	*			*		840	5.5	400 / 50 (*)	1600	1745	1034	1530	1500	750	840	625




PDJ Vibro Ltd. 46 Barton Road, Bletchley, MK2 3BB.

t: 01908 648757 e: [info@vibratoryfinishing.co.uk](mailto:info@vibratoryfinishing.co.uk) w: <https://www.vibratoryfinishing.co.uk>

VAT No: GB 728 234 728. Company Reg: 3747200

## BPT Technical Details



Tip Type	Type A	Type B	Type C	Speed		Gross Volume ltrs	Power kW	Voltage / Frequency AC-V/Hz 3 phase	Weight kg	A mm	B mm	C mm	D mm	E mm	F mm	G mm
				1500 rpm	3000 rpm											
BPT-80	*				*	80	2x1.5	400 / 50 (*)	630	1990	770	840	850	275	345	-
BPT-100			*	*		100	2x1.1	400 / 50 (*)	500	2600	515	890	1500	255	325	-
BPT-130	*				*	130	2x2.2	400 / 50 (*)	660	2200	760	1095	960	345	410	-
BPT-250	*			*		250	2x5.5	400 / 50 (*)	1425	2925	700	1010	1500	390	450	-
BPT-320	*			*		320	2x5.5	400 / 50 (*)	1800	2950	1100	1170	1230	510	550	-
BPT-700	*			*		700	2x7.5	400 / 50 (*)	2370	2650	1190	1360	1100	800	850	470
BPT-1000				*		1000	2x5.5	400 / 50 (*)	2150	3415	1170	1255	1830	760	810	270
BPT-1100				*		1100	2x7.5	400 / 50 (*)	2740	3810	1170	1400	2135	760	760	390
BPT-2200				*		2200	2x11	400 / 50 (*)	3100	4300	1445	1500	2200	1100	990	350